

FITTINGS

TET SERIES

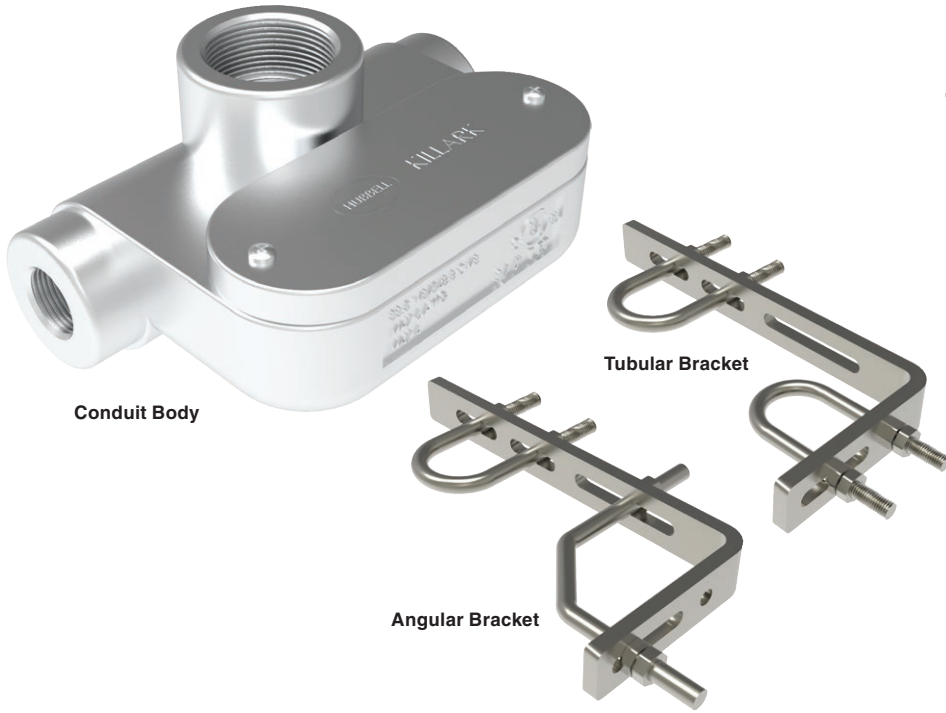


Killark's unique Top Entry T or "TET" fitting offers a safe way to install an electrical conduit body with unimpeded access for future maintenance or expansion projects for gantry and elevated industrial walkways. This patented design allows the access point to remain unblocked for the life of the electrical run and even allows for conductor pull for unrelated product, like light fixtures. The TET fitting is future proof and is the safest means for your electrical system.





TET SERIES



- UL514B & UL514A compliant
- Suitable for use in Class 1 Div. 2 applications when installed in accordance to NEC Article 501.10 Type 4X rated with cover and gasket

FEATURES-SPECIFICATIONS

TET CONDUIT BODY

Features/Benefits

- Safer to Install for future access during maintenance
- Pull through for non-related products
- Future Proof –unable to block during expansion projects
- cULus certified and NEMA 4X approved
- Includes stainless steel cover and neoprene gasket

Materials/Finish

- Body – Aluminum or Stainless-steel
- Cover/Screws - 316 Stainless-steel
- Gasket – Neoprene
- Natural - Finish

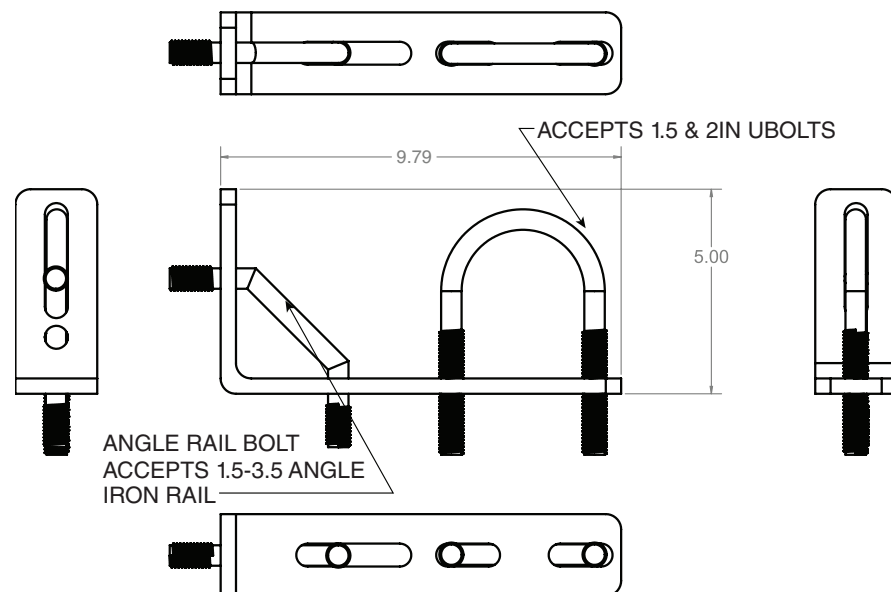
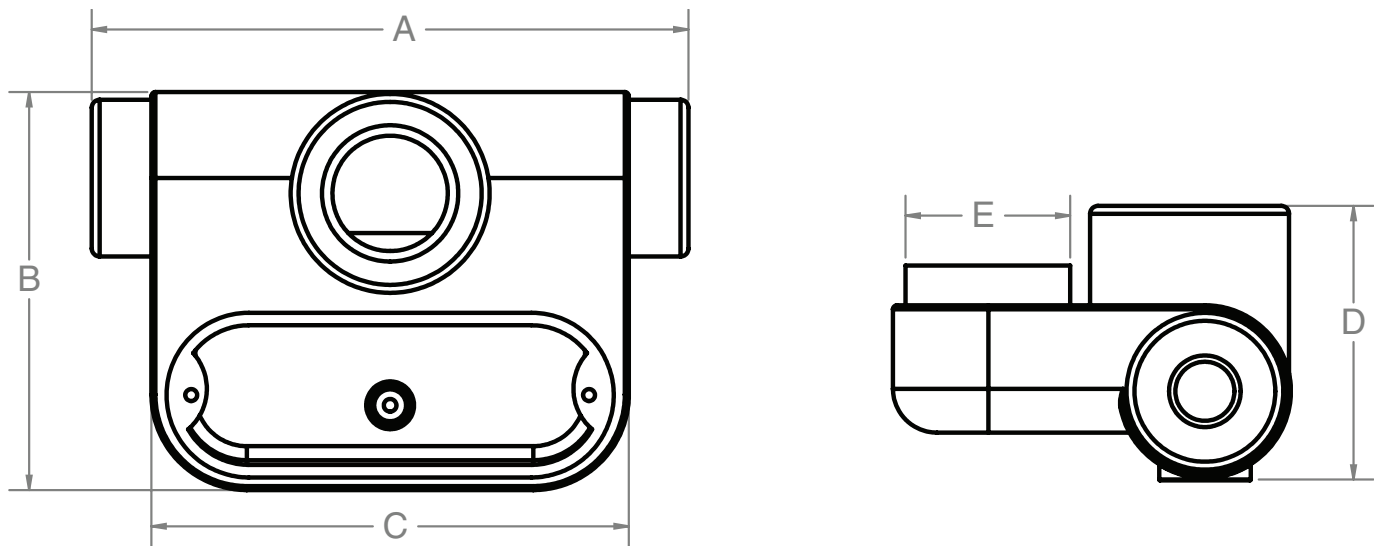
MOUNTING BRACKETS

Features

- For Tubular and Angle Stanchion Mounting of Light Poles and Instruments for Stair and Walkway Rails
- High Vibration Installation
- Includes bolts, nuts and washers



TET CONDUIT BODY										
CATALOG NUMBER	HUB SIZE		FINISH	ACCESSORIES	A	B	C	D	E	VOLUME
	TOP	SIDES								
TET15075A	1-1/2"	3/4"	Aluminum	N/A	7.5	5	6	3.44	2.07	33.5 in3 (548.8 cm3)
TET15075AD	1-1/2"	3/4"	Aluminum	Drain	7.5	5	6	3.44	2.07	33.5 in3 (548.8 cm3)
TET15075ABD	1-1/2"	3/4"	Aluminum	Drain/Breather	7.5	5	6	3.44	2.07	33.5 in3 (548.8 cm3)
TET15075SS	1-1/2"	3/4"	Stainless Steel	N/A	7.5	5	6	3.44	2.07	33.5 in3 (548.8 cm3)
TET150150SS	1-1/2"	1-1/2"	Stainless Steel	N/A	7.5	5	6	3.44	2.07	33.5 in3 (548.8 cm3)
TET100100SS	1"	1"	Stainless Steel	N/A	7.5	5	6	3.44	2.07	33.5 in3 (548.8 cm3)
TET07575SS	3/4"	3/4"	Stainless Steel	N/A	7.5	5	6	3.44	2.07	33.5 in3 (548.8 cm3)



MOUNTING BRACKETS		
CATALOG NUMBER	FINISH	TYPE OF BRACKET
MHK-RTG	Steel	Tubular (rounded)
MHK-RAG	Steel	Angular
MHK-RTS	Stainless Steel	Tubular (rounded)
MHK-RAS	Stainless Steel	Angular